



Buy it for looks. Buy it for life.®

Specifications

DESCRIPTION

- Metal construction with chrome plated, chrome w/porcelain, chrome w/LifeShine® polished brass accents, LifeShine® polished brass, satine, LifeShine® brushed nickel or satine w/LifeShine® polished brass accents
- Includes showerhead, arm and flange

OPERATION

- Lever style handle
- Handle operates counterclockwise through a 270° arc with off at 6 o'clock and maximum hot at the 9 o'clock position. Shut off in clockwise direction
- Adjustable temperature limit stop to control maximum hot water temperature
- Pressure balancing mechanism maintains selected discharge temperature to $\pm 3^\circ$

FLOW

- Showerhead is limited to 2.5 gpm (9.5 L/min) Max

CARTRIDGE

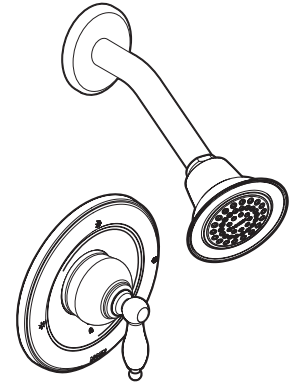
- 1222 cartridge design
- Nonmetallic/nonferrous and stainless steel materials
- Accommodates back to back installations

STANDARDS

- Third party certified to meet CSA B-125, ASME A112.18.1M, ANSI A117.1, ASSE 1016 and all applicable requirements referenced therein

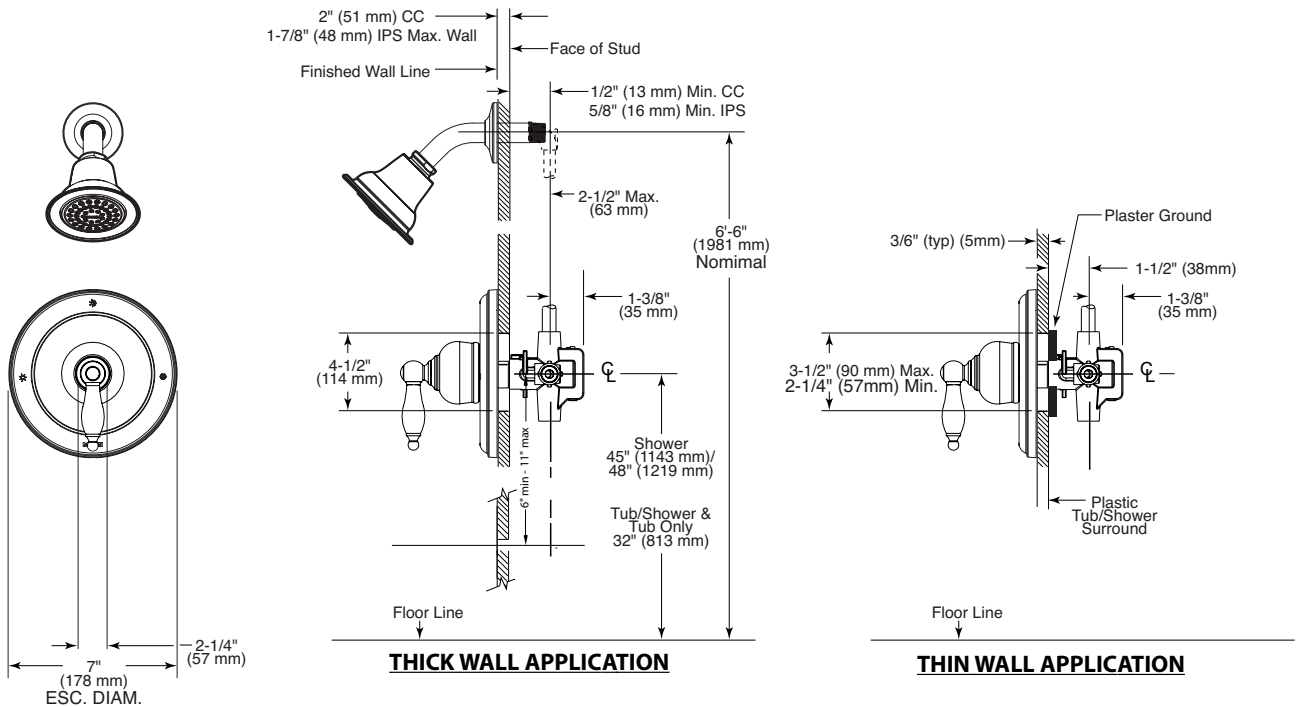
WARRANTY

- Lifetime limited warranty against leaks, drips and finish defects to the original consumer purchaser
- 5 year warranty if used in commercial installations



CASTLEBY™ Posi-Temp® Single-Handle Shower Valve Only

Models: TL2377, TL2377BN, TL2377CP, TL2377P, TL2377CPC, TL2377ST, TL2377STST, TL184



CRITICAL DIMENSIONS

(DO NOT SCALE)